

Bases de douche / Shower bases

Bases de douche anti-fuite
Acrylique blanc lustré
En coin, drain central

Anti-leak shower bases
White glossy acrylic
Corner, center drain

Acrylique hautement lustré
High gloss acrylic



Certifié cUPC
cUPC Certified



Facile d'entretien
Easy maintenance



Installation rapide et facile
Fast & easy installation



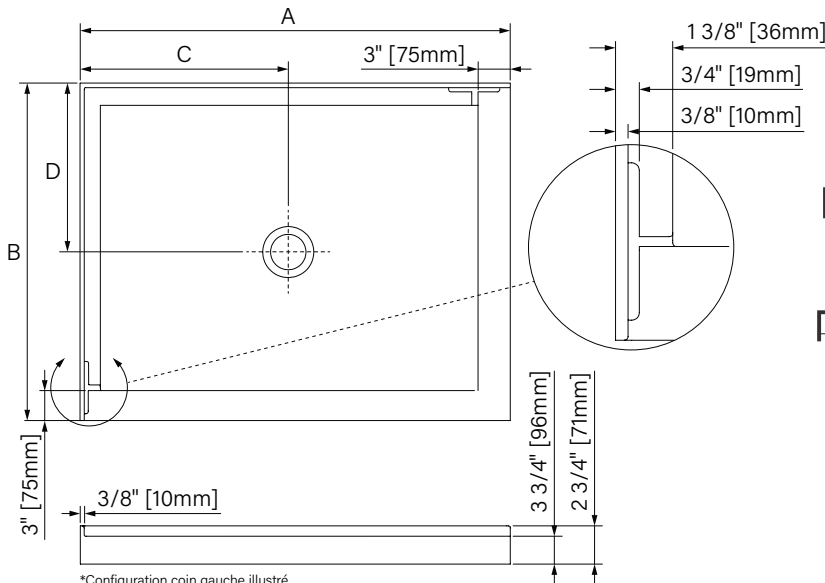
Portes de douche disponibles
Shower doors available



Garantie de 20 ans
20 years warranty



Coin gauche montré / Left corner shown



*Configuration coin gauche illustré
*Left corner configuration shown

Caractéristiques :

- Système anti-fuite prévenant les fuites dans le mur

Features :

- Anti-leak system prevent leakage in the walls

□ Carré / Square :

- 32" x 32" B3232LCOCC1
- 36" x 36" B3636LCOCC1
- 42" x 42" B4242LCOCC1

□ Rectangulaire / Rectangular :

- 42" x 36" (gauche ou droite / left or right) B4236LRE_C1
- 48" x 32" (gauche ou droite / left or right) B4832LRE_C1
- 48" x 36" (gauche ou droite / left or right) B4836LRE_C1
- 48" x 42" (gauche ou droite / left or right) B4842LRE_C1
- 60" x 32" (gauche ou droite / left or right) B6032LRE_C1
- 60" x 36" (gauche ou droite / left or right) B6036LRE_C1
- 60" x 42" (gauche ou droite / left or right) B6042LRE_C1

Dimensions variables / Variable dimensions

	3232	3636	4242	4236	4832	4836	4842	6030	6032	6036	6042
A	31 7/8" 810mm	35 7/8" 911mm	41 7/8" 1064mm	41 7/8" 1064mm	47 7/8" 1216mm	47 7/8" 1216mm	47 7/8" 1216mm	59 7/8" 1521mm	59 7/8" 1521mm	59 7/8" 1521mm	59 7/8" 1521mm
B	31 7/8" 810mm	35 7/8" 911mm	41 7/8" 1064mm	35 7/8" 911mm	31 7/8" 810mm	35 7/8" 911mm	41 7/8" 1064mm	29 7/8" 759mm	31 7/8" 810mm	35 7/8" 911mm	41 7/8" 1064mm
C	15 15/16" 405mm	17 15/16" 456mm	20 15/16" 532mm	20 15/16" 532mm	23 15/16" 608mm	23 15/16" 608mm	23 15/16" 608mm	29 15/16" 760mm	29 15/16" 760mm	29 15/16" 760mm	29 15/16" 760mm
D	15 15/16" 405mm	17 15/16" 456mm	20 15/16" 532mm	17 15/16" 456mm	15 15/16" 405mm	17 15/16" 456mm	20 15/16" 532mm	14 15/16" 379mm	15 15/16" 405mm	17 15/16" 456mm	20 15/16" 532mm

Les dimensions sont soumises à des tolérances de fabrication et peuvent changer sans préavis.
The dimensions are subject to manufacturer's tolerance and may change without notice.

Dimensions d'emballage / Packaging dimensions

32"x32" : B3232LCOCC1 Boite/Box #1 : 35" x 35" x 5", 24lbs 889mm x 889mm x 127mm, 10.9kg	36"x36" : B3636LCOCC1 Boite/Box #1 : 39" x 39" x 5", 25lbs 991mm x 991mm x 127mm, 11.3kg
42"x36" : B4236LRE_C1 Boite/Box #1 : 39" x 45" x 5", 30lbs 991mm x 1143mm x 127mm, 13.6kg	42"x42" : B4242LCOCC1 Boite/Box #1 : 45" x 45" x 5", 44lbs 1143mm x 1143mm x 127mm, 20kg
48"x32" : B4832LRE_C1 Boite/Box #1 : 35" x 51" x 5", 38lbs 889mm x 1295mm x 127mm, 17.2kg	48"x36" : B4836LRE_C1 Boite/Box #1 : 39" x 51" x 5", 41lbs 991mm x 1295mm x 127mm, 18.6kg
48"x42" : B4842LRE_C1 Boite/Box #1 : 45" x 51" x 5", 61lbs 1143mm x 1295mm x 127mm, 27.7kg	60"x32" : B6032LRE_C1 Boite/Box #1 : 63" x 35" x 5", 68lbs 1600mm x 889mm x 127mm, 30.8kg
60"x36" : B6036LRE_C1 Boite/Box #1 : 63" x 39" x 5", 70lbs 1600mm x 991mm x 127mm, 31.8kg	60"x42" : B6042LRE_C1 Boite/Box #1 : 63" x 45" x 5", 74lbs 1600mm x 1143mm x 127mm, 33.6kg

**Les dimensions des boîtes peuvent varier ou changer sans préavis.
**Boxes dimensions may vary or change without notice.

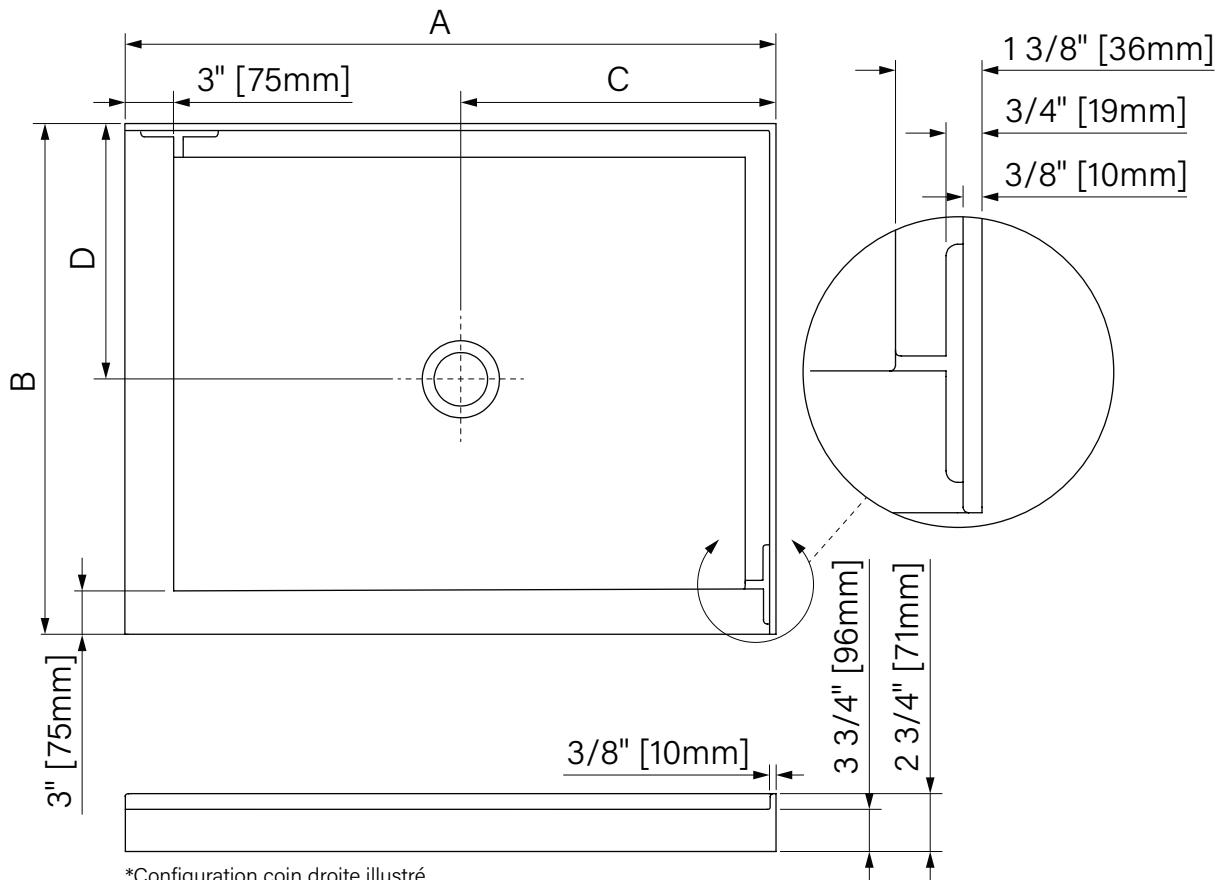


zittagroup.com

Base de douche / Shower base

En coin avec drain centré
Avec anti-fuite & drain régulier
Acrylique blanc lustré
Configurations disponibles :
3232 / 3636 / 4236 / 4242 /
4832 / 4836 / 4842 / 6030 /
6032 / 6036 / 6042

Corner with centered drain
With anti-leak & regular drain
Glossy white acrylic
Possible configurations :
3232 / 3636 / 4236 / 4242 /
4832 / 4836 / 4842 / 6030 /
6032 / 6036 / 6042



*Configuration coin droite illustré
*Right corner configuration shown

Dimensions variables / Variable dimensions

	3232	3636	4242	4236	4832	4836	4842	6030	6032	6036	6042
A	31 7/8" 810mm	35 7/8" 911mm	41 7/8" 1064mm	41 7/8" 1064mm	47 7/8" 1216mm	47 7/8" 1216mm	47 7/8" 1216mm	59 7/8" 1521mm	59 7/8" 1521mm	59 7/8" 1521mm	59 7/8" 1521mm
B	31 7/8" 810mm	35 7/8" 911mm	41 7/8" 1064mm	35 7/8" 911mm	31 7/8" 810mm	35 7/8" 911mm	41 7/8" 1064mm	29 7/8" 759mm	31 7/8" 810mm	35 7/8" 911mm	41 7/8" 1064mm
C	15 15/16" 405mm	17 15/16" 456mm	20 15/16" 532mm	20 15/16" 532mm	23 15/16" 608mm	23 15/16" 608mm	23 15/16" 608mm	29 15/16" 760mm	29 15/16" 760mm	29 15/16" 760mm	29 15/16" 760mm
D	15 15/16" 405mm	17 15/16" 456mm	20 15/16" 532mm	17 15/16" 456mm	15 15/16" 405mm	17 15/16" 456mm	20 15/16" 532mm	14 15/16" 379mm	15 15/16" 405mm	17 15/16" 456mm	20 15/16" 532mm

*Les dimensions sont soumises à des tolérances de fabrication et peuvent changer sans préavis
*The dimensions are subject to manufacturer's tolerance and may change without notice.

Configuration en coin gauche démontré, aussi disponible en coin droite
Left side configuration shown, also available on right side configuration

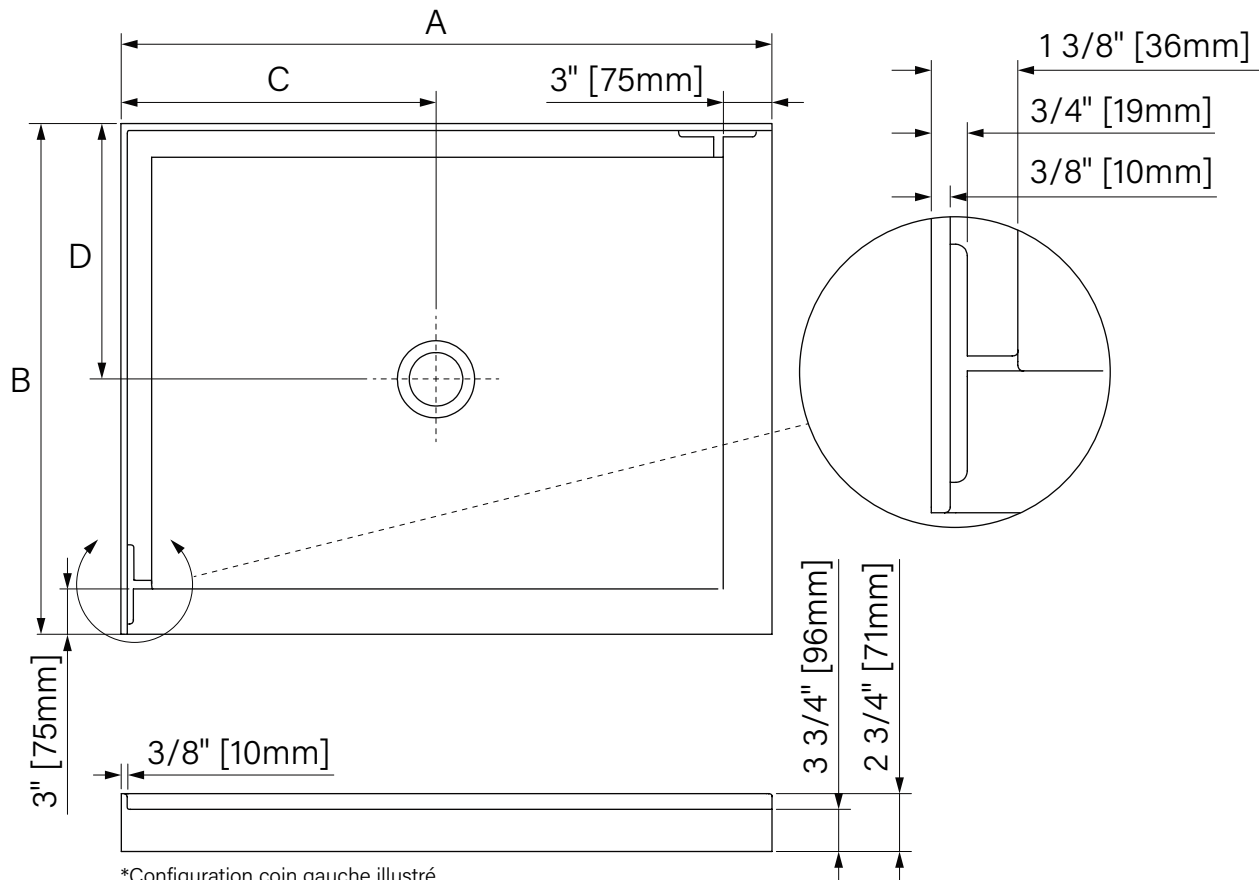


www.zittagroup.com

Base de douche / Shower base

En coin avec drain centré
Avec anti-fuite & drain régulier
Acrylique blanc lustré
Configurations disponibles :
3232 / 3636 / 4236 / 4242 /
4832 / 4836 / 4842 / 6030 /
6032 / 6036 / 6042

Corner with centered drain
With anti-leak & regular drain
Glossy white acrylic
Possible configurations :
3232 / 3636 / 4236 / 4242 /
4832 / 4836 / 4842 / 6030 /
6032 / 6036 / 6042



*Configuration coin gauche illustré
*Left corner configuration shown

Dimensions variables / Variable dimensions

	3232	3636	4242	4236	4832	4836	4842	6030	6032	6036	6042
A	31 7/8" 810mm	35 7/8" 911mm	41 7/8" 1064mm	41 7/8" 1064mm	47 7/8" 1216mm	47 7/8" 1216mm	47 7/8" 1216mm	59 7/8" 1521mm	59 7/8" 1521mm	59 7/8" 1521mm	59 7/8" 1521mm
B	31 7/8" 810mm	35 7/8" 911mm	41 7/8" 1064mm	35 7/8" 911mm	31 7/8" 810mm	35 7/8" 911mm	41 7/8" 1064mm	29 7/8" 759mm	31 7/8" 810mm	35 7/8" 911mm	41 7/8" 1064mm
C	15 15/16" 405mm	17 15/16" 456mm	20 15/16" 532mm	20 15/16" 532mm	23 15/16" 608mm	23 15/16" 608mm	23 15/16" 608mm	29 15/16" 760mm	29 15/16" 760mm	29 15/16" 760mm	29 15/16" 760mm
D	15 15/16" 405mm	17 15/16" 456mm	20 15/16" 532mm	17 15/16" 456mm	15 15/16" 405mm	17 15/16" 456mm	20 15/16" 532mm	14 15/16" 379mm	15 15/16" 405mm	17 15/16" 456mm	20 15/16" 532mm

*Les dimensions sont soumises à des tolérances de fabrication et peuvent changer sans préavis
*The dimensions are subject to manufacturer's tolerance and may change without notice.

Configuration en coin gauche démontré, aussi disponible en coin droite
Left side configuration shown, also available on right side configuration



www.zittagroup.com